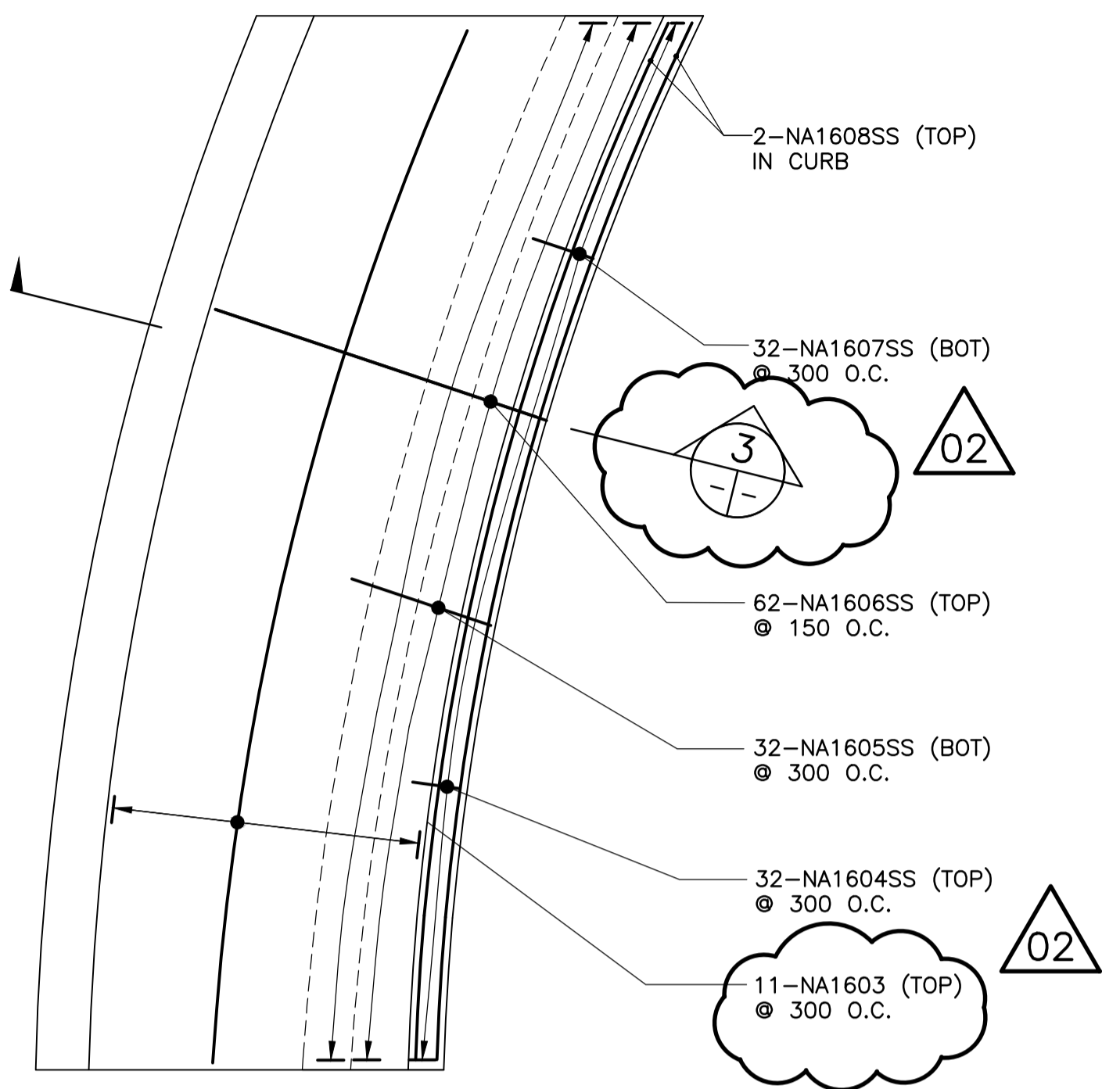
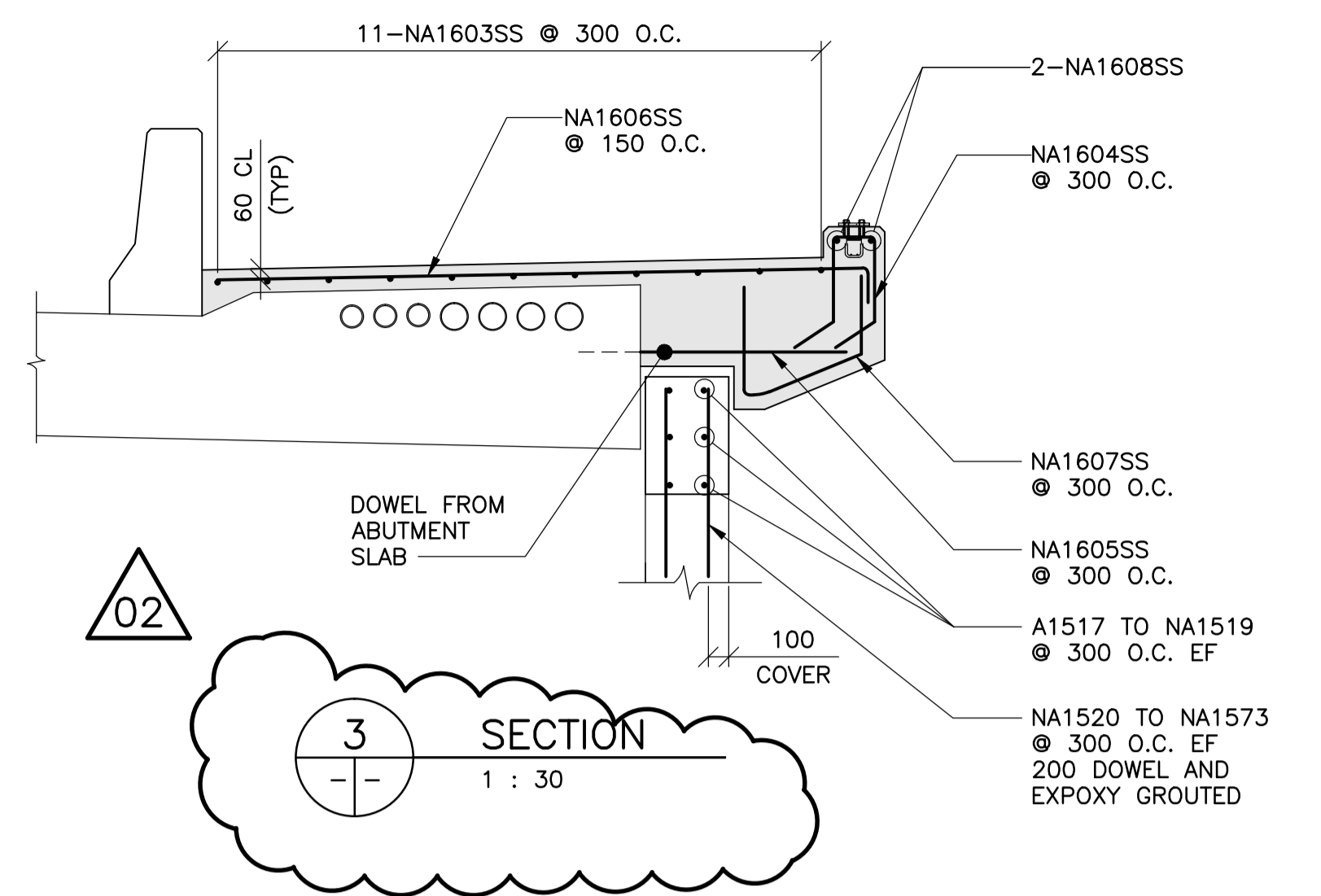


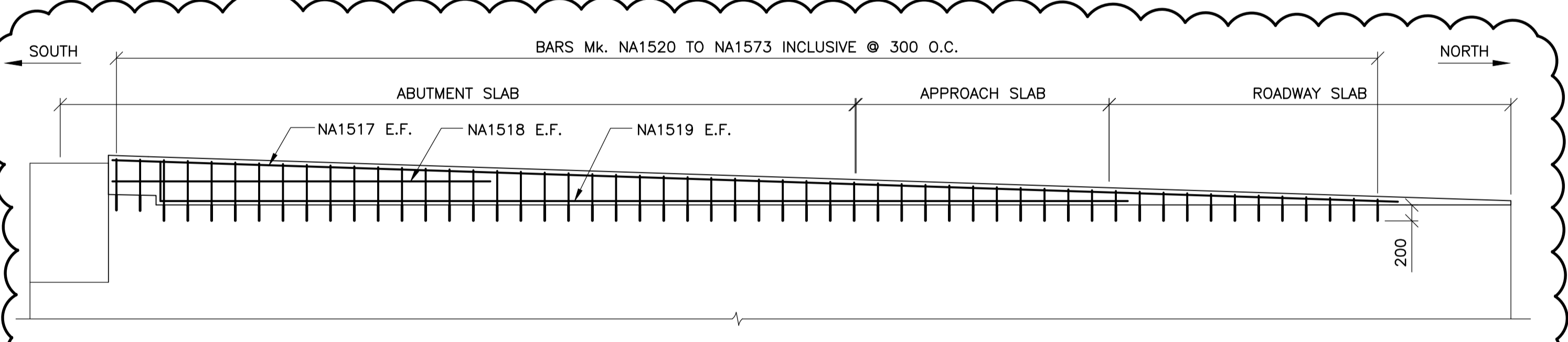
1 ABUTMENT SLAB - PHASE 1 REINFORCING  
1 : 50



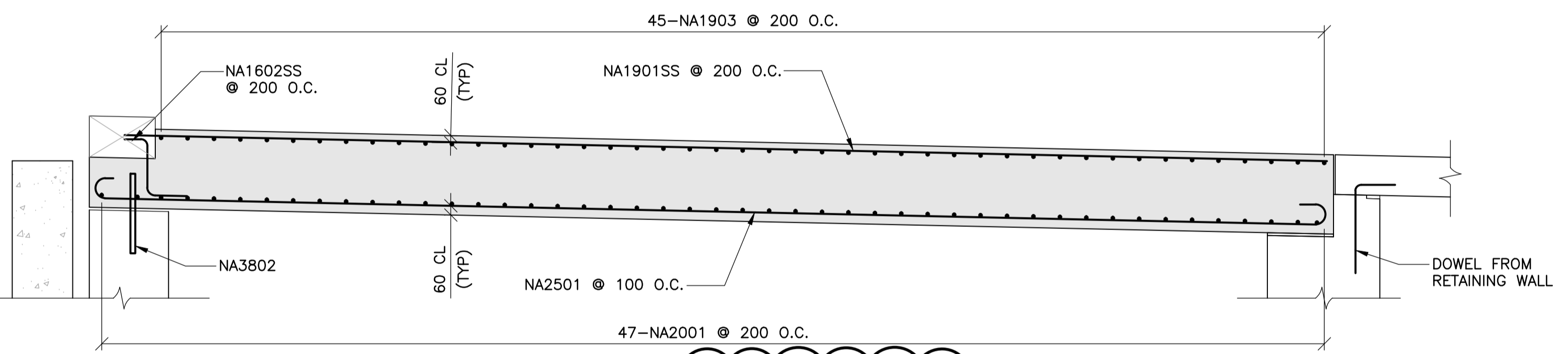
2 ABUTMENT SIDEWALK - PHASE 1 REINFORCING  
1 : 50



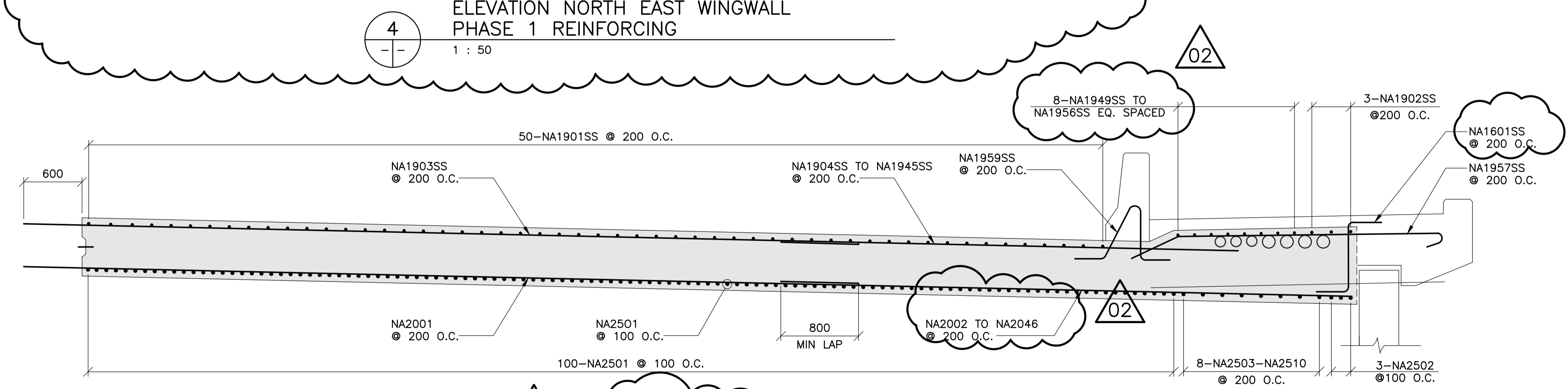
3 SECTION  
1 : 30



4 ELEVATION NORTH EAST WINGWALL  
PHASE 1 REINFORCING  
1 : 50



5 SECTION  
1 : 30



6 SECTION  
1 : 30



B.M. ELEV.	F.B.	DATE	BY

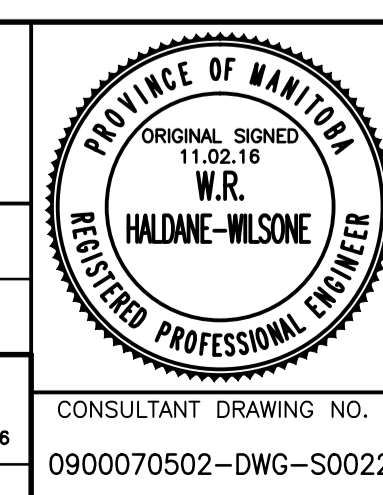
**WARDROP**  
ATETRA TECH COMPANY

DESIGNED BY: S.Y.      CHECKED BY: R.H.W.  
DRAWN BY: H.A.      APPROVED BY: R.H.W.

HOR. SCALE: AS NOTED      RELEASED FOR CONSTRUCTION DATE: 11.02.16  
VERTICAL: AS NOTED      ORIGINAL SIGNED: 11.02.16

NO. REVISIONS      DATE      BY      DATE 10.10.20

MAIT ORILETT, P.ENG  
BRIDGE PROJECTS ENGINEER



**THE CITY OF WINNIPEG**  
PUBLIC WORKS DEPARTMENT  
ENGINEERING DIVISION

**OSBORNE STREET BRIDGE**  
REHABILITATION & RELATED WORKS

**NORTH ABUTMENT AND APPROACH SLAB**  
PHASE 1 REINFORCING

CITY DRAWING NUMBER: B109-11-027  
SHEET OF: 22 OF 131

CONSULTANT DRAWING NO.: 0900070502-DWG-S0022

22